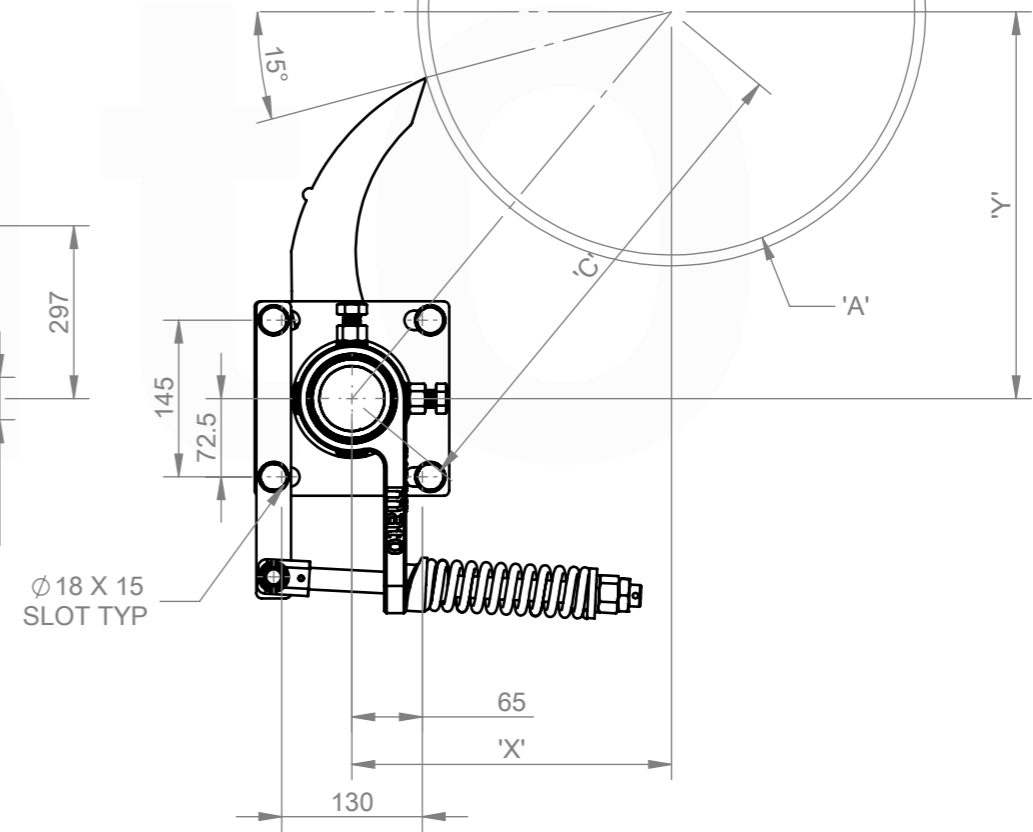
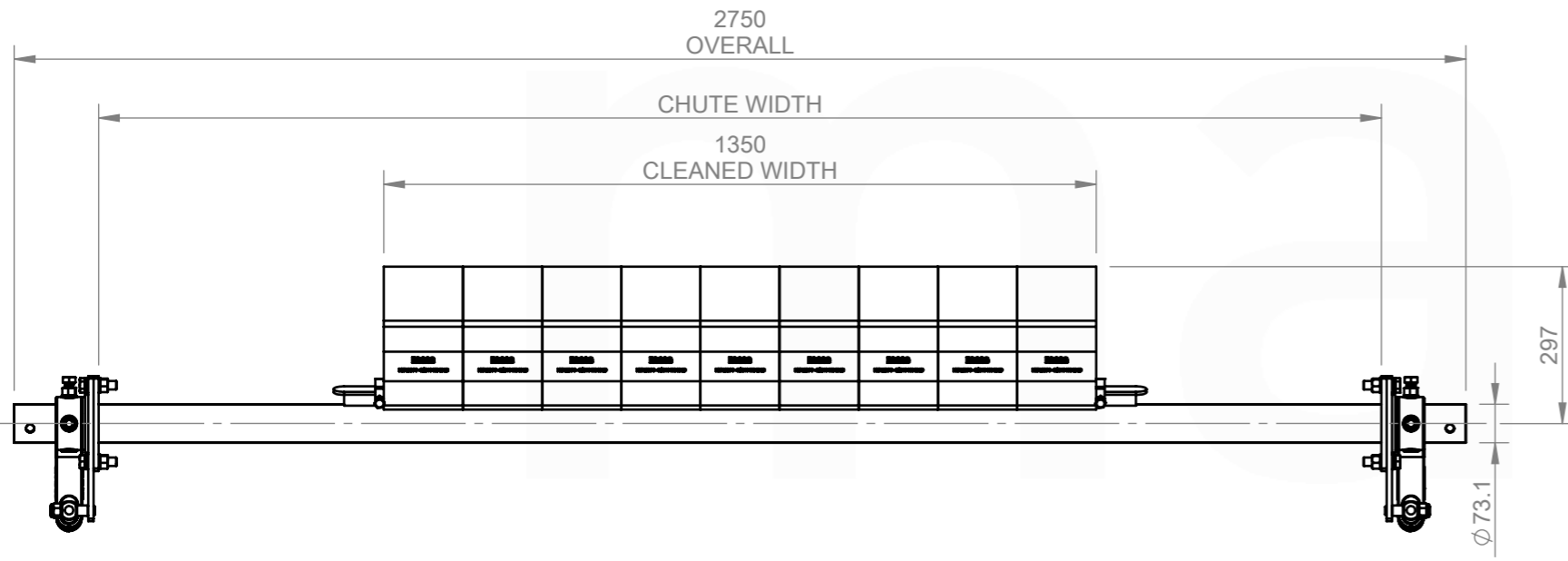


- ASSEMBLY NOTES:
1. UNLESS DRAWINGS ARE MARKED "FOR CONSTRUCTION", THEY SHALL NOT BE USED FOR CONSTRUCTION PURPOSES
  2. DO NOT OBTAIN DIMENSIONS BY SCALING FROM DRAWING
  3. REMOVE ALL BURRS AND SHARP EDGES
  4. ALL CUTS TO BE A MINIMUM OF CLASS 2  $\sqrt{3.2}$  FINISH UNO

81 161 63 09



CHUTE CUT OUT DETAIL:  
REFER TO CUT OUT TEMPLATE  
MTP235 CS2 INSTALLATION TEMPLATE

ITEM NO.	DESCRIPTION	QTY.	PART No.	MASS k/g
1	MTP-73-1500-SS	1	82 024 08	35.46
2	73.0 MD DUAL PRIMARY COMPRESSION SPRING CS2 (YELLOW) END ASSEMBLY	1	81 161 00 80	15.39
3	MDP235 P1 150mm BLADE - FRAS	9	81 110 00 23	2.52
4	END STOP, ASSY. - MTP	2	82 200 00 25	0.20

REV.	DESCRIPTION	BY	APRVD	DATE
A	ISSUED FOR CONSTRUCTION	KD	JS	20/11/25
B	UPDATED DIMENSIONS	JS	DG	29/01/2026

MATERIAL: N/A	DRAWN BY JS	DESCRIPTION: <b>MTP235-P1-CS2-1500</b>	PROFILE CUT ITEMS: TO BE CUT FROM SUPPLIED DXF CAD FILE WHERE APPLICABLE ADDITIONAL DIMENSIONS CAN BE PROVIDED ON REQUEST. DO NOT SCALE IF IN DOUBT  © COPYRIGHT, ALL RIGHTS RESERVED	<b>mato</b>  MATO AUSTRALIA PTY LTD (INCORPORATED IN NSW) ABN 82 050 057 726  39 BONVILLE AVE THORNTON NSW 2322 PH: 1300 850 795 FAX: (02)4936 1388
FINISH: N/A	CHECKED JS 20/11/25			
COLOUR: N/A	APPROVED JS 20/11/25			
MFG'D: INTERNAL	CREATED 17/11/2025			
SCALE DO NOT SCALE	MASS: 73.96 KG	3RD ANGLE PROJECTION	DRAWING NO. 8424	PG. SIZE A3
				SHEET 1 / 1
				REV B

C:\InfoVault\InfoVault01-Production\NEW FOLDER STRUCTURE\PRIMARY CLEANERS\MTP - PRIMARY CLEANERS\CS2 - END ASSEMBLIES\MTP235\81 161 63 09\CAD FILES\81 161 63 09