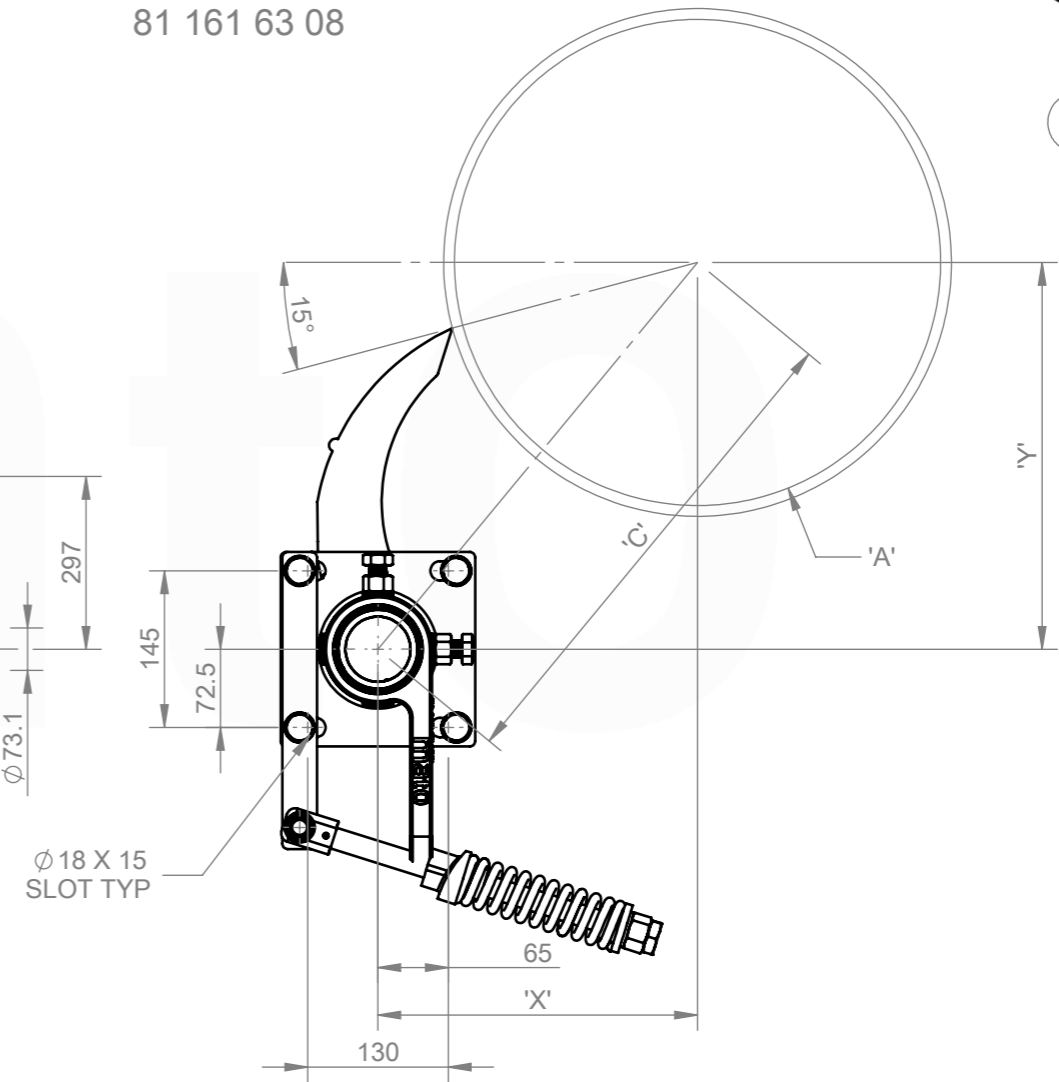


- ASSEMBLY NOTES:
1. UNLESS DRAWINGS ARE MARKED "FOR CONSTRUCTION", THEY SHALL NOT BE USED FOR CONSTRUCTION PURPOSES
 2. DO NOT OBTAIN DIMENSIONS BY SCALING FROM DRAWING
 3. REMOVE ALL BURRS AND SHARP EDGES
 4. ALL CUTS TO BE A MINIMUM OF CLASS 2 $\sqrt{3.2}$ FINISH UNO

81 161 63 08



CHUTE CUT OUT DETAIL:
REFER TO CUT OUT TEMPLATE
MTP235 CS2 INSTALLATION TEMPLATE

ITEM NO.	DESCRIPTION	QTY.	PART No.	MASS k/g
1	MTP-73-1400-SS	1	82 024 07	34.00
2	73.0 MD DUAL PRIMARY COMPRESSION SPRING CS2 (YELLOW) END ASSEMBLY	1	81 161 00 80	15.39
3	MDP235 P1 150mm BLADE - FRAS	8	81 110 00 23	2.52
4	END STOP, ASSY. - MTP	2	82 200 00 25	0.20

REV.	DESCRIPTION	BY	APRVD	DATE
A	ISSUED FOR CONSTRUCTION	KD	JS	20/11/25
B	UPDATED DIMENSIONS	JS	DG	29/01/2026

MATERIAL: N/A	DRAWN BY JS	DESCRIPTION: MTP235-P1-CS2-1400	PROFILE CUT ITEMS: TO BE CUT FROM SUPPLIED DXF CAD FILE WHERE APPLICABLE ADDITIONAL DIMENSIONS CAN BE PROVIDED ON REQUEST. DO NOT SCALE IF IN DOUBT © COPYRIGHT, ALL RIGHTS RESERVED	mato		
FINISH: N/A	CHECKED JS 20/11/25					
COLOUR: N/A	APPROVED JS 20/11/25					
MFG'D: INTERNAL	CREATED 17/11/2025					
SCALE DO NOT SCALE	MASS: 69.97 KG	3RD ANGLE PROJECTION	DRAWING NO. 8423	PG. SIZE A3	SHEET 1 / 1	REV B

MATO AUSTRALIA PTY LTD
(INCORPORATED IN NSW) ABN 82 050 057 728
39 BONVILLE AVE
THORNTON NSW 2322
PH: 1300 850 795 FAX: (02)4936 1388