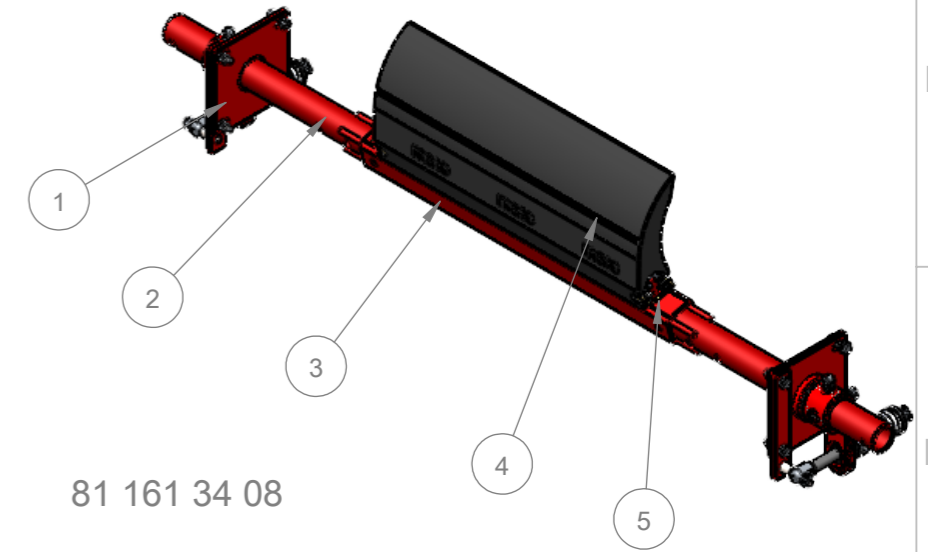
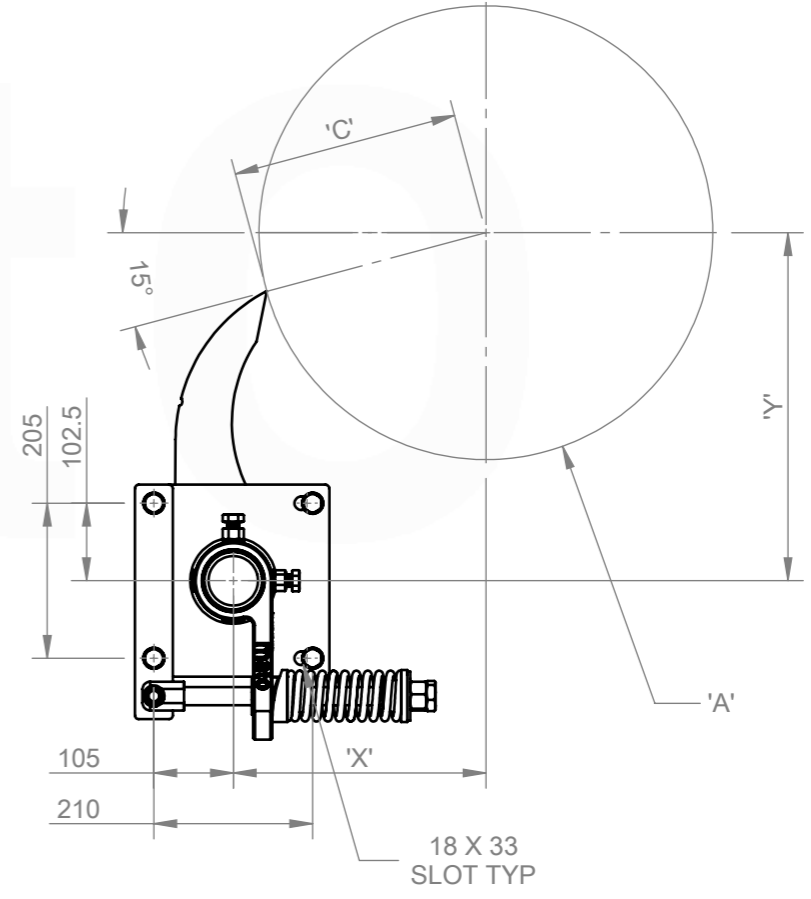
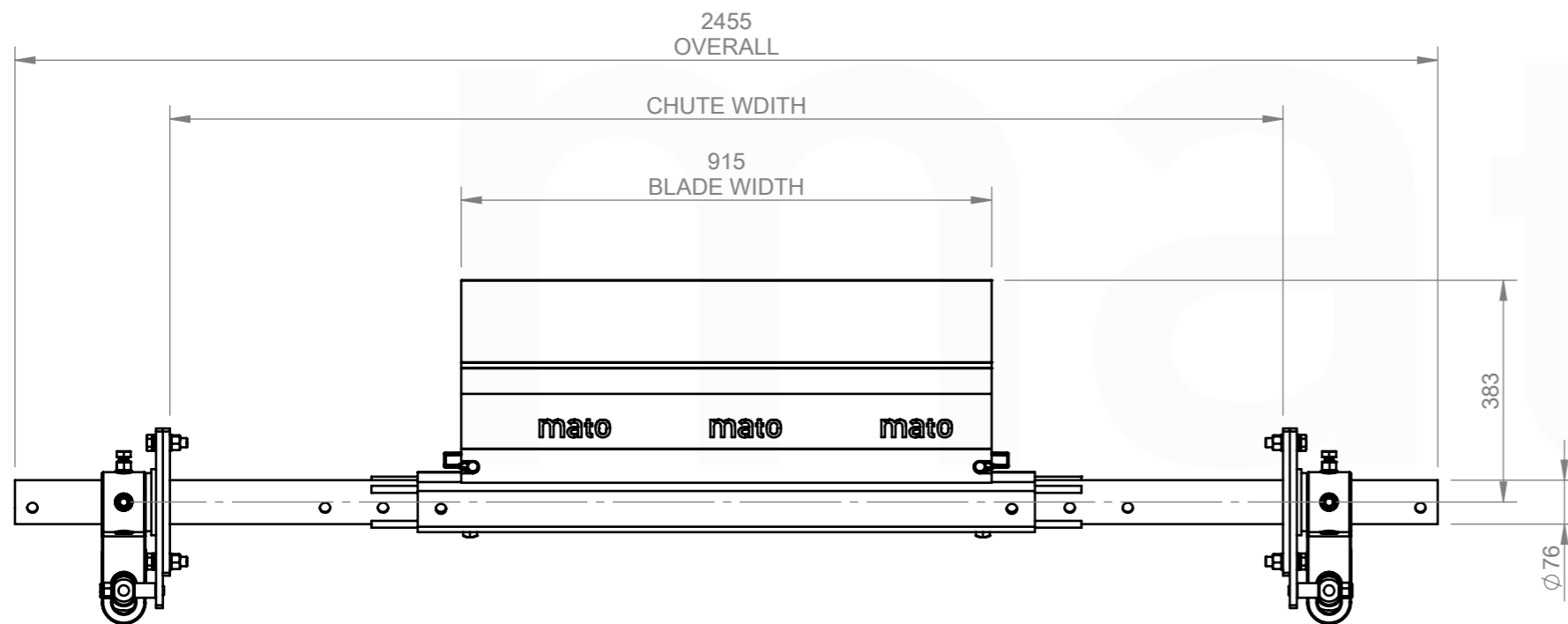


- ASSEMBLY NOTES:
1. UNLESS DRAWINGS ARE MARKED "FOR CONSTRUCTION", THEY SHALL NOT BE USED FOR CONSTRUCTION PURPOSES
 2. DO NOT OBTAIN DIMENSIONS BY SCALING FROM DRAWING
 3. REMOVE ALL BURRS AND SHARP EDGES
 4. ALL CUTS TO BE A MINIMUM OF CLASS 2 $\sqrt{3.2}$ FINISH UNO



81 161 34 08



| ITEM NO. | DESCRIPTION | QTY. | PART No. | MASS k/g |
|----------|--|------|--------------|----------|
| 1 | 76.1 HD DUAL PRIMARY COMPRESSION SPRING CS2 (WHITE) END ASSEMBLY | 1 | 81 161 00 83 | 31.72 |
| 2 | MDP235HD/306 SHAFT EXTENSION | 2 | 81 014 00 | 9.96 |
| 3 | MDPHD Centre Shaft 1050 | 1 | 81 015 25 | 22.39 |
| 4 | MDP306HD-P2-900 | 1 | 81 140 34 17 | 28.73 |
| 5 | MDP306 BLADE RETAINING PIN | 2 | 81 314 25 | 0.08 |

CHUTE CUT OUT DETAIL:
REFER TO CUT OUT TEMPLATE
MDP306 CS2 INSTALLATION TEMPLATE

| REV. | DESCRIPTION | BY | APR'VD | DATE |
|------|-------------------------|----|--------|----------|
| A | ISSUED FOR CONSTRUCTION | JS | DG | 09/05/25 |

| | | | | |
|-----------------------|-------------------------|---|--|--|
| MATERIAL: N/A | DRAWN BY JS | DESCRIPTION: MDP306HD-P2-CS2-1050/150 | PROFILE CUT ITEMS: TO BE CUT FROM SUPPLIED DXF CAD FILE WHERE APPLICABLE. ADDITIONAL DIMENSIONS CAN BE PROVIDED ON REQUEST. DO NOT SCALE IF IN DOUBT. © COPYRIGHT, ALL RIGHTS RESERVED | mato MATO AUSTRALIA PTY LTD (INCORPORATED IN NSW) ABN 62 050 057 726 39 BONVILLE AVE THORNTON NSW 2322 PH: 1300 850 795 FAX: (02)4936 1388 |
| FINISH: N/A | CHECKED DG 09/05/25 | | | |
| COLOUR: N/A | APPROVED DG 09/05/25 | PART NO. 81 161 34 08 | THIS DRAWING IS STRICTLY CONFIDENTIAL AND MUST NOT BE COPIED, REPRODUCED OR ADAPTED, NOR MAY ARTICLES BE MANUFACTURED IN ACCORDANCE WITH THE DRAWING WITHOUT PRIOR WRITTEN PERMISSION OF MATO AUSTRALIA PTY LTD. | PG. SIZE A3 |
| MFG'D: INTERNAL | CREATED 9/04/2025 | MASS: 102.90 KG | | |
| SCALE DO NOT SCALE | | 3RD ANGLE PROJECTION | DRAWING NO. 7798 | |

C:\Mato\Auto\Auto\01-Production\NEW FOLDER STRUCTURE\PRIMARY CLEANERS\MDP - PRIMARY CLEANERS\CS2 - END ASSEMBLIES\MDP306HD\81 161 34 08\CAD FILES\81 161 34 08