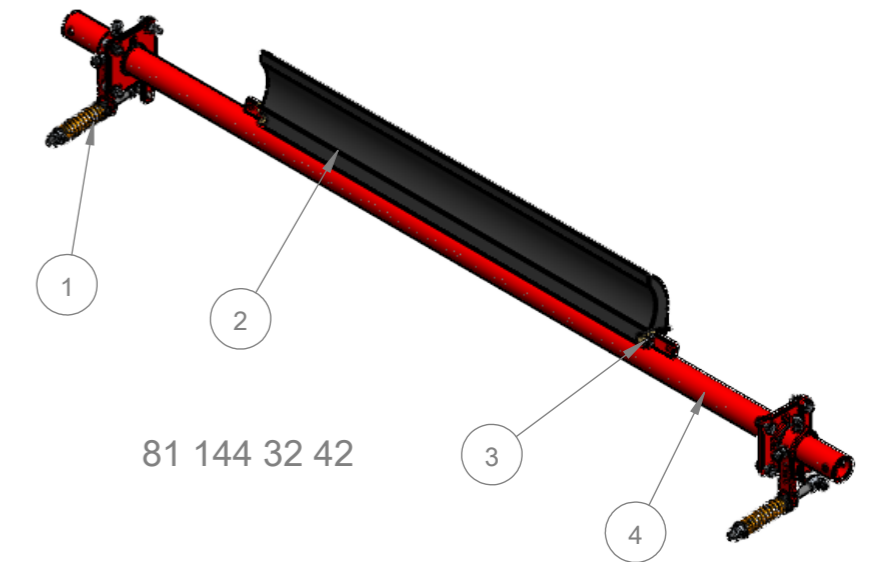
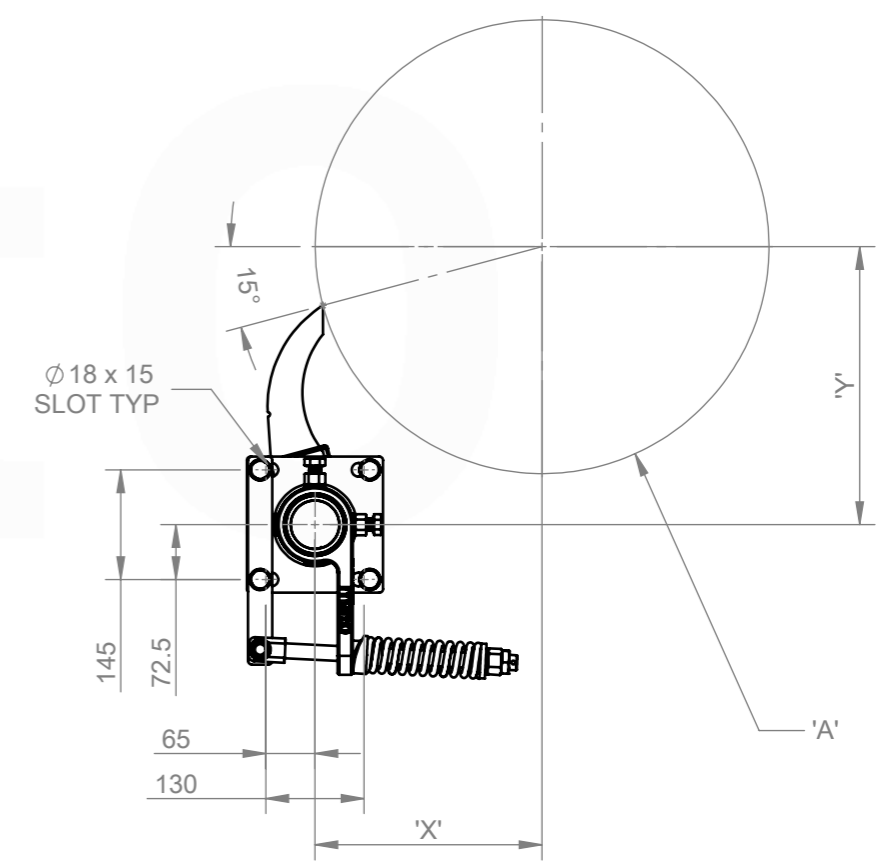
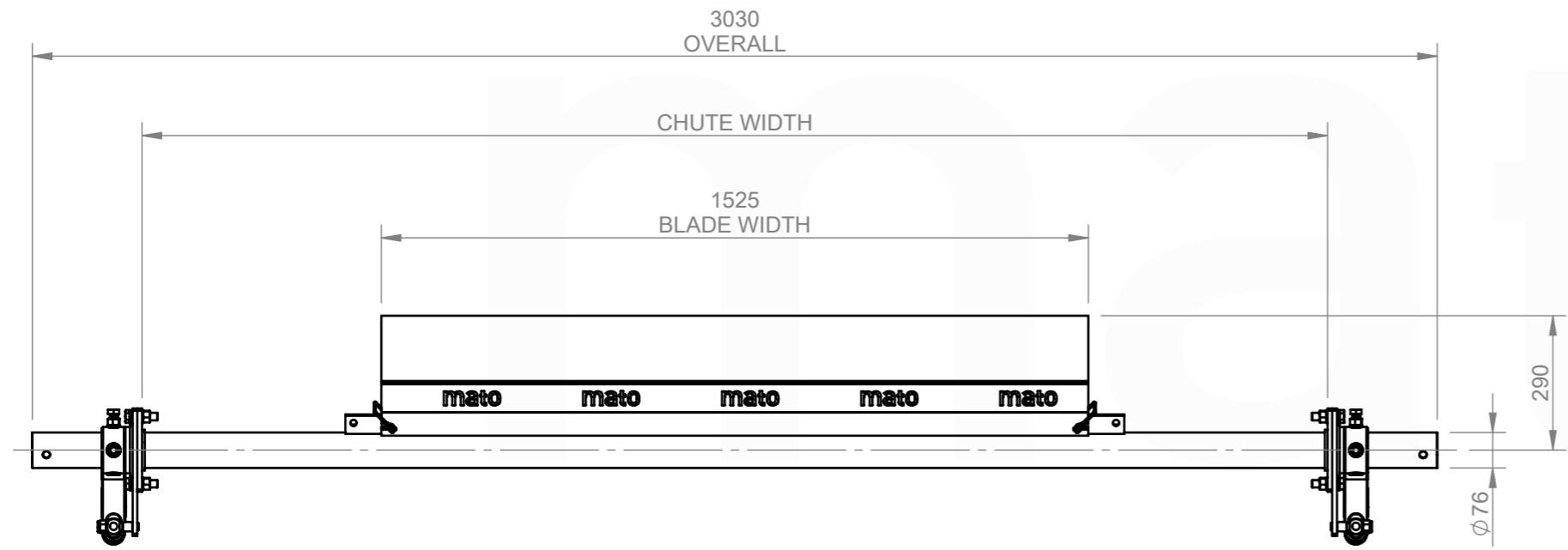


- ASSEMBLY NOTES:
1. UNLESS DRAWINGS ARE MARKED "FOR CONSTRUCTION", THEY SHALL NOT BE USED FOR CONSTRUCTION PURPOSES
 2. DO NOT OBTAIN DIMENSIONS BY SCALING FROM DRAWING
 3. REMOVE ALL BURRS AND SHARP EDGES
 4. ALL CUTS TO BE A MINIMUM OF CLASS 2 $\sqrt{3.2}$ FINISH UNO



81 144 32 42



CHUTE CUT OUT DETAIL:
REFER TO CUT OUT TEMPLATE
MDP235 CS2 INSTALLATION TEMPLATE

| ITEM NO. | DESCRIPTION | QTY. | PART No. | MASS k/g |
|----------|---|------|--------------|----------|
| 1 | 76.1 MD DUAL PRIMARY COMPRESSION SPRING CS2 (YELLOW) END ASSEMBLY | 1 | 81 161 00 81 | 15.47 |
| 2 | MDP235-P2-1500 | 1 | 81 140 32 25 | 24.43 |
| 3 | MDP235 BLADE RETAINING PIN | 2 | 81 314 23 | 0.08 |
| 4 | MDP235-76-1800 | 1 | 81 014 30 | 38.58 |

| REV. | DESCRIPTION | BY | APR'VD | DATE |
|------|-------------------------|----|--------|----------|
| A | ISSUED FOR CONSTRUCTION | JS | DG | 25/06/25 |

| | | | | |
|-----------------------|-------------------------|---|--|--|
| MATERIAL: N/A | DRAWN BY JS | DESCRIPTION: MDP235-P2-CS2-1800/300 | PROFILE CUT ITEMS: TO BE CUT FROM SUPPLIED DXF CAD FILE WHERE APPLICABLE ADDITIONAL DIMENSIONS CAN BE PROVIDED ON REQUEST. DO NOT SCALE IF IN DOUBT © COPYRIGHT, ALL RIGHTS RESERVED | mato MATO AUSTRALIA PTY LTD (INCORPORATED IN NSW) ABN 82 050 057 726 38 BONVILLE AVE THORNTON NSW 2322 PH 1300 850 795 FAX (02)4936 1388 |
| FINISH: N/A | CHECKED DG 24/06/25 | | | |
| COLOUR: N/A | APPROVED DG 24/06/25 | PART NO. 81 144 32 42 | THIS DRAWING IS STRICTLY CONFIDENTIAL AND MUST NOT BE COPIED, REPRODUCED OR ADAPTED, NOR MAY ARTICLES BE MANUFACTURED IN ACCORDANCE WITH THE DRAWING WITHOUT PRIOR WRITTEN PERMISSION OF MATO AUSTRALIA PTY LTD. | PG. SIZE A3 |
| MFG'D: INTERNAL | CREATED 6/06/2025 | MASS: 78.63 KG | | |
| SCALE DO NOT SCALE | | 3RD ANGLE PROJECTION | DRAWING NO. 7917 | REV A |

C:\Matovault\Matovault\Production\NEW FOLDER STRUCTURE\PRIMARY CLEANERS\MDP - PRIMARY CLEANERS\CS2 - END ASSEMBLIES\MDP235\161.32.42\CAD FILES\161.32.42